

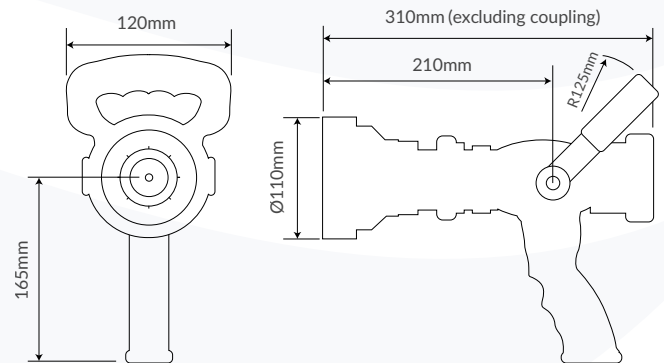


## Venom Turbo 750 Nozzle

The Venom Turbo 750 Hose Nozzle is the most popular of the Venom range offering a medium-high maximum flow rate of 750 litres per minute and can work at a maximum working pressure of 16 bar, making it suitable for industrial users and firefighters alike. Suitable for working as low as 3 bar. Manufactured in accordance with BSEN-15182.

### FEATURES

- Flow pattern identification.
- Hard Anodized Aluminium.
- Laser engraved settings.
- Simple to operate (¼ turn from straight stream to fog).
- Raised identification lug on the bumper to assist in low visibility operations.
- Easy to service and repair.
- Compatible with foam making equipment.



Technical Specification	
Weight	2.9kg
Materials	Body - Hard Anodized Aluminium Handle & Valve - ABS Bumper - Rubber
Max Sealing Test Pressure	24 bar, factory tested 30 bar
Max Strength Test Pressure	24 bar, factory tested 30 bar
Max Use Working Pressure	16 bar, factory tested 24 bar
Advised Working Pressure	7 bar
Minimum Operational Pressure	3 bar
Max Fog Angle	120°
Throw Range	52m at 7 bar
Flow Range	360 litres/min at 7 bar 475 litres/min at 7 bar 550 litres/min at 7 bar 750 litres/min at 7 bar
Coupling Options	Instantaneous BS336 American NST Guillemin / DSP Rotta & Gost and many more

## VENOM TURBO 750 NOZZLE OPERATION

### KEY PARTS :

- 1 **Valve Close:**  
Push the handle forward
- 2 **Valve Open:**  
Push the handle backward
- 3 **Flow Rate Adjust:**  
Twist the flow adjust ring to obtain required flow rate
- 4 **SS-FOG Pattern:**  
Twist the rubber bumper



## NOZZLE PERFORMANCE



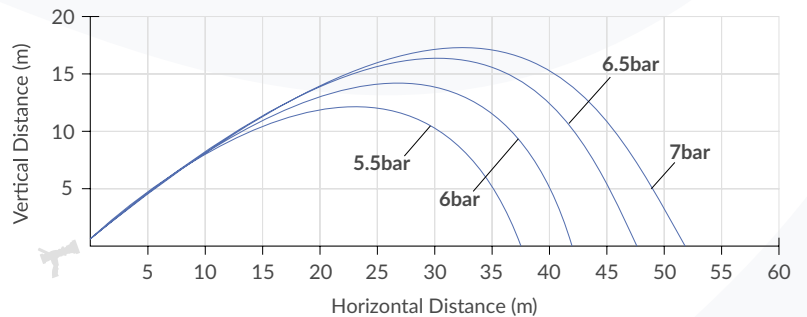
STRAIGHT STREAM



NARROW FOG



WIDE FOG



Testing Environment: 30° throw angle, wind speed ≤2m/s